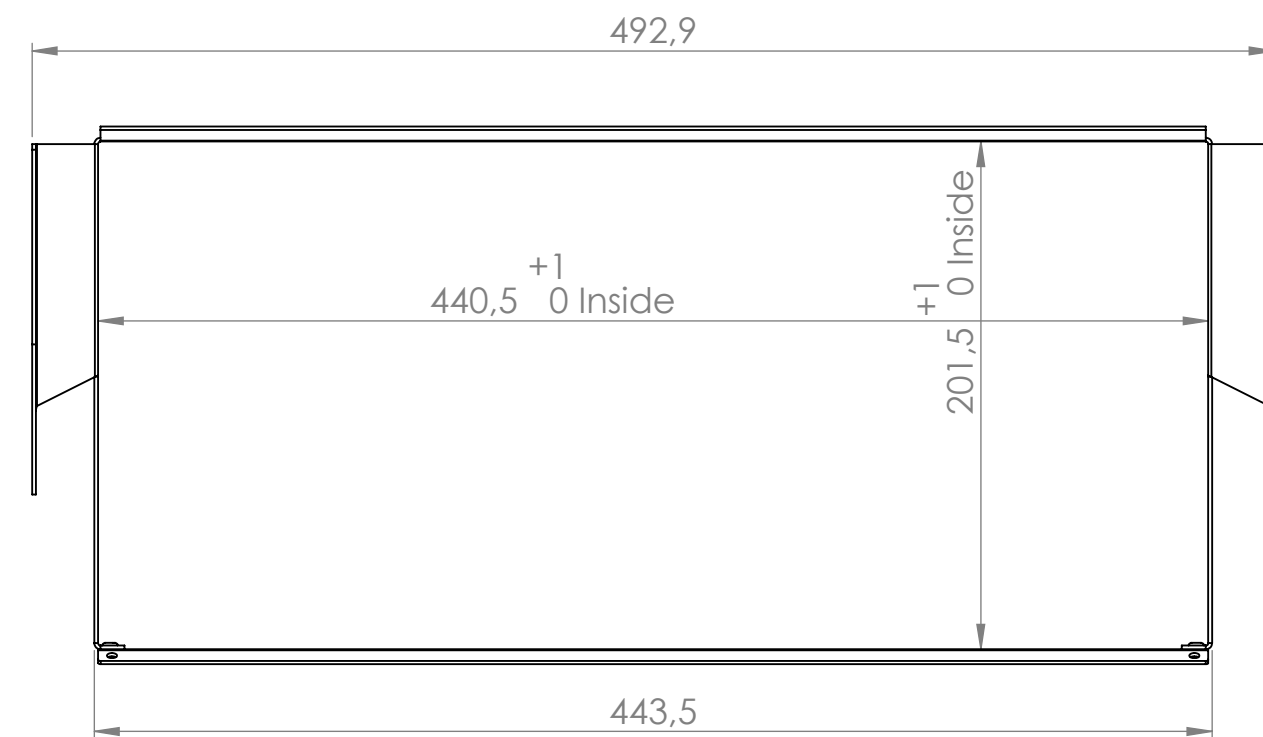
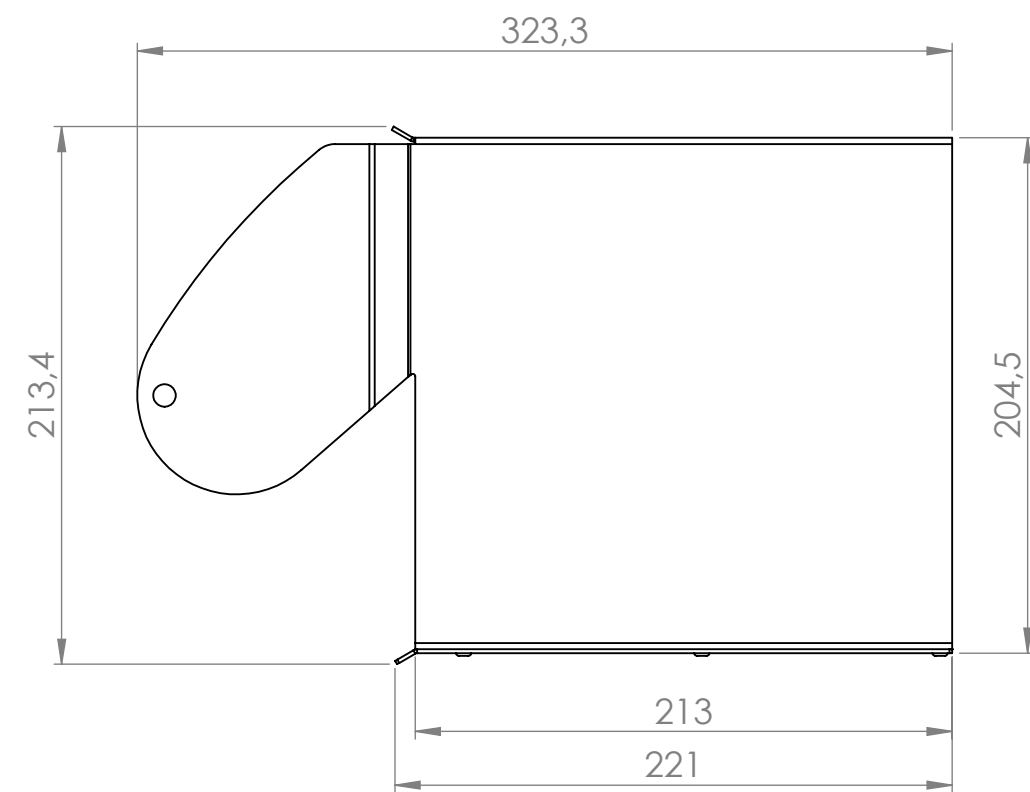
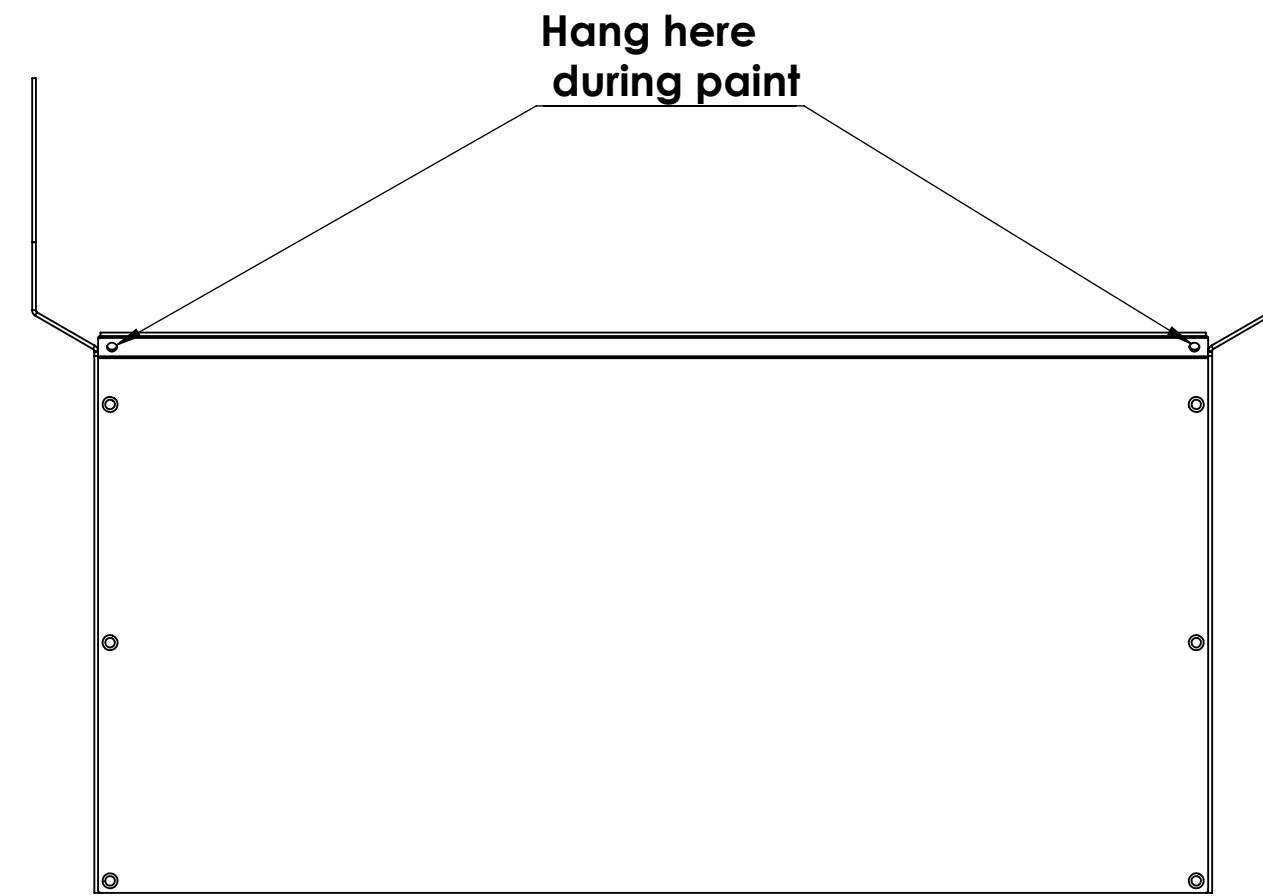
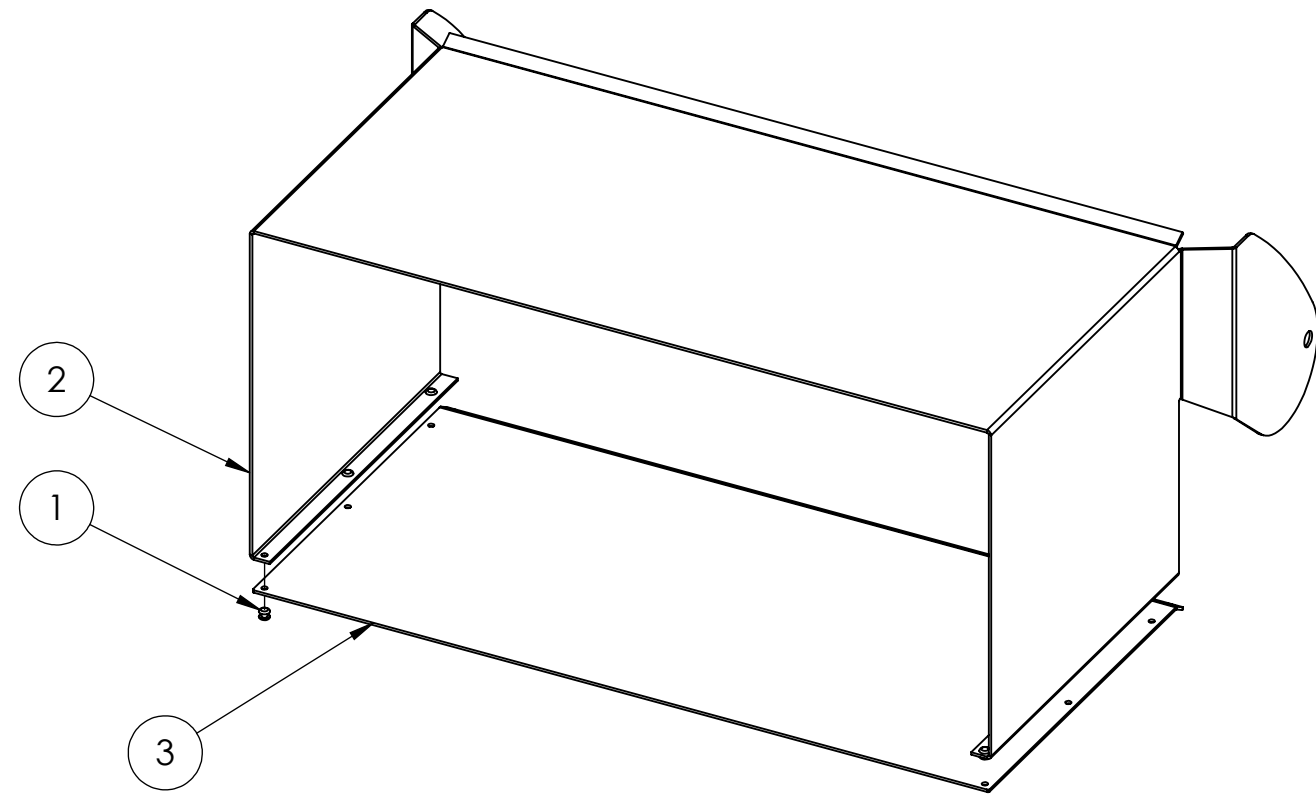


REVISIONS				
REV.	DESCRIPTION	ECO	DATE	CHANGED BY
A	Created	N/A	11-07-2018	RER



ITEM NO.	PART NUMBER	DESCRIPTION	QTY.
1	06220102-A	Dome head blind rivet, 3,2x6, DIN 7337 A	6
2	17000580-A	Plate, Anti glare shield - full, Medium - Top	1
3	17000581-A	Plate, Anti glare shield - full, Medium - Bottom	1

Tolerances according to ISO 2768-1: M		DEBUR AND BREAK SHARP EDGES	DO NOT SCALE DRAWING		PAPER SIZE: A2
Nominal size	Permissible deviations	All Dimensions are in mm			
0.5 up to 3	±0.1	NAME	DATE	TITLE:	
over 3 up to 6	±0.1	Created By	RER	Monday, 9 October 2017 09:55:25	Full Anti-Glare Shield, Medium
over 6 up to 30	±0.2	Last saved By	rer	Wednesday, 11 July 2018 09:42:46	
over 30 up to 120	±0.3	FINISH:		Oxylan + Powdercoating	63061176-A
over 120 up to 400	±0.5	MATERIAL:		N/A	
over 400 up to 1000	±0.8	WEIGHT: 1256.41		DWG NO.	SCALE:1:3
over 1000 up to 2000	±1.2			SHEET 1 OF 1	